

LAVASTOVIGLIE A CESTO TRASCINATO - 1 Vasca
RACK TYPE DISHWASHER - 1 Tank
RT 10 / RT 180 / WT 90 / NERT / HAB
VERSIONI ELETTRICHE /ELECTRICAL VERSIONS

Code	Type1	Type2 (From Ser. Nr: 006)	Ref.	Pagina/ Page	Code	Type1	Type2 (From Ser. Nr: 006)	Ref.	Pagina/ Page
531372	RT10ERCINA		e	2,3,4,5	533330	WT90ERC	NERT10ERC		2,3,4,5
531373	RT10ELCINA		f	2,3,4,5	533331	WT90ELC	NERT10ELC		2,3,4,5
531374	RT10ER-		a	2,3,4,5	533344	WT90ERCB	NERT10ERC		2,3,4,5
531375	RT10ELROWH		b	2,3,4,5	533345	WT90ELCB	NERT10ELCB		2,3,4,5
531376	RT10ERH		p	2,3,4,5	533368	WT90ERCINA		g	2,3,4,5
531377	RT10ELH		q	2,3,4,5	533369	WT90ELCINA		h	2,3,4,5
531378	RT10ERROW		i	2,3,4,5	533370	WT90ERROWH	NERT20ERH	c	2,3,4,5
531379	RT10ELROW		l	2,3,4,5	533371	WT90ELROWH	NERT20ELH	d	2,3,4,5
531380	RT10ERROW6		x	2,3,4,5	533372	WT90ERH		r	2,3,4,5
531381	RT10ELROW6		y	2,3,4,5	533373	WT90ELH		s	2,3,4,5
533300	WT90ER	NERT10ER		2,3,4,5	533374	WT90ERROW	NERT20ER	m	2,3,4,5
533301	WT90EL	NERT10EL		2,3,4,5	533375	WT90ELROW	NERT20EL	n	2,3,4,5
533312	WT90ERG	NERT10ERG		2,3,4,5	533376	WT90ERROW6	NERT20ER60	j	2,3,4,5
533313	WT90ELG	NERT10ELG		2,3,4,5	533377	WT90ELROW6	NERT20EL60	w	2,3,4,5
533314	WT90ERB	NERT10ERB		2,3,4,5	864141		HABER90ER		6,7
533315	WT90ELB	NERT10ELB		2,3,4,5	864142		HABEL90ERT		6,7
533326	ET90ERCINA		t	2,3,4,5	864151		HABERERT		6,7
533327	ET90ELCINA		u	2,3,4,5	864153		HABELERT		6,7
533328	ET90ERROW		v	2,3,4,5	864364		HABESX/90		6,7
533329	ET90ELROW		z	2,3,4,5					

VERSIONI VAPORE / STEAM VERSIONS

Code	Type(From Ser. Nr: 011)	Ref.	Pagina/ Page	Code	Type(From Ser. Nr: 011)	Ref.	Pagina/ Page
533322	NERT10SR		2,3,4,5	864236	HABSRERT		6,7
533323	NERT10SL		2,3,4,5	864237	HABSLERT		6,7
533336	NERT20SR		2,3,4,5				
533337	NERT20SL		2,3,4,5				
533340	NERT10SRC		2,3,4,5				
533341	NERT10SLC		2,3,4,5				

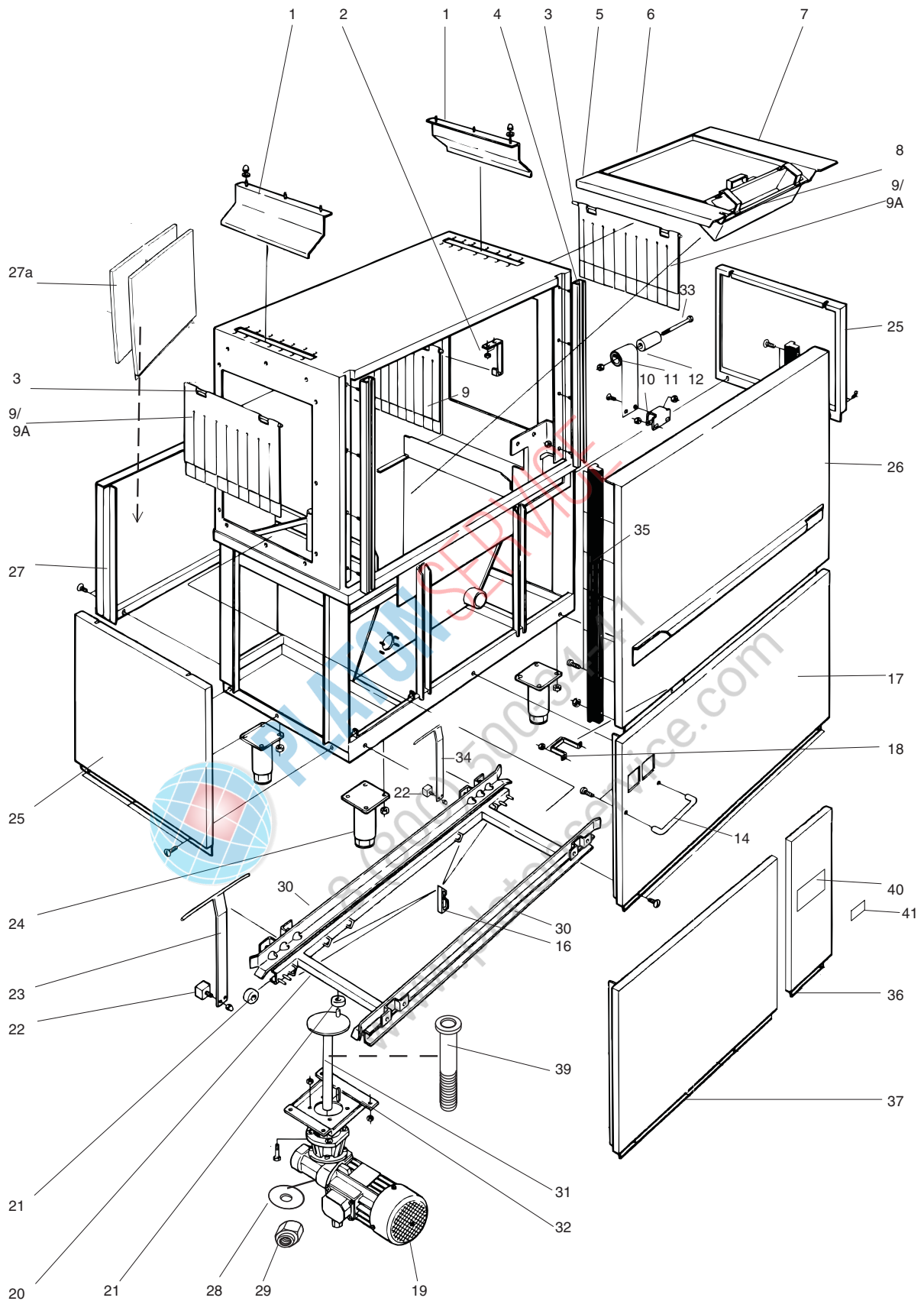
Pagina/ Page	Illustr.	Indice Descrizione	Index Description
2	21315Z	Vasca e pannelli	Tank and panels
3	21316B	Scarico ed impianto di lavaggio	Drain and wash system
4	21317Ae	Componenti elettrici	Electric components
5	21318z	Unità condensa fumane CU	Condensing Unit CU
6	21301	Zona di asciugatura HUB	Hot Air Blower HAB
7	21302	Zona di asciugatura HUB, Riscaldamento	Hot Air Blower HAB, Heating
8 - 17		Lista ricambi	Spare parts list

Marchio/ Brand: Tutti/ All
Paese/ Country: Tutti/ All

Da Ser.Nr./From Ser.nr.: 228 /

Page: 1 Ed.2017-11

Doc. Nr.: 6-50 001A



ill. 21315Z

Vasca e pannelli

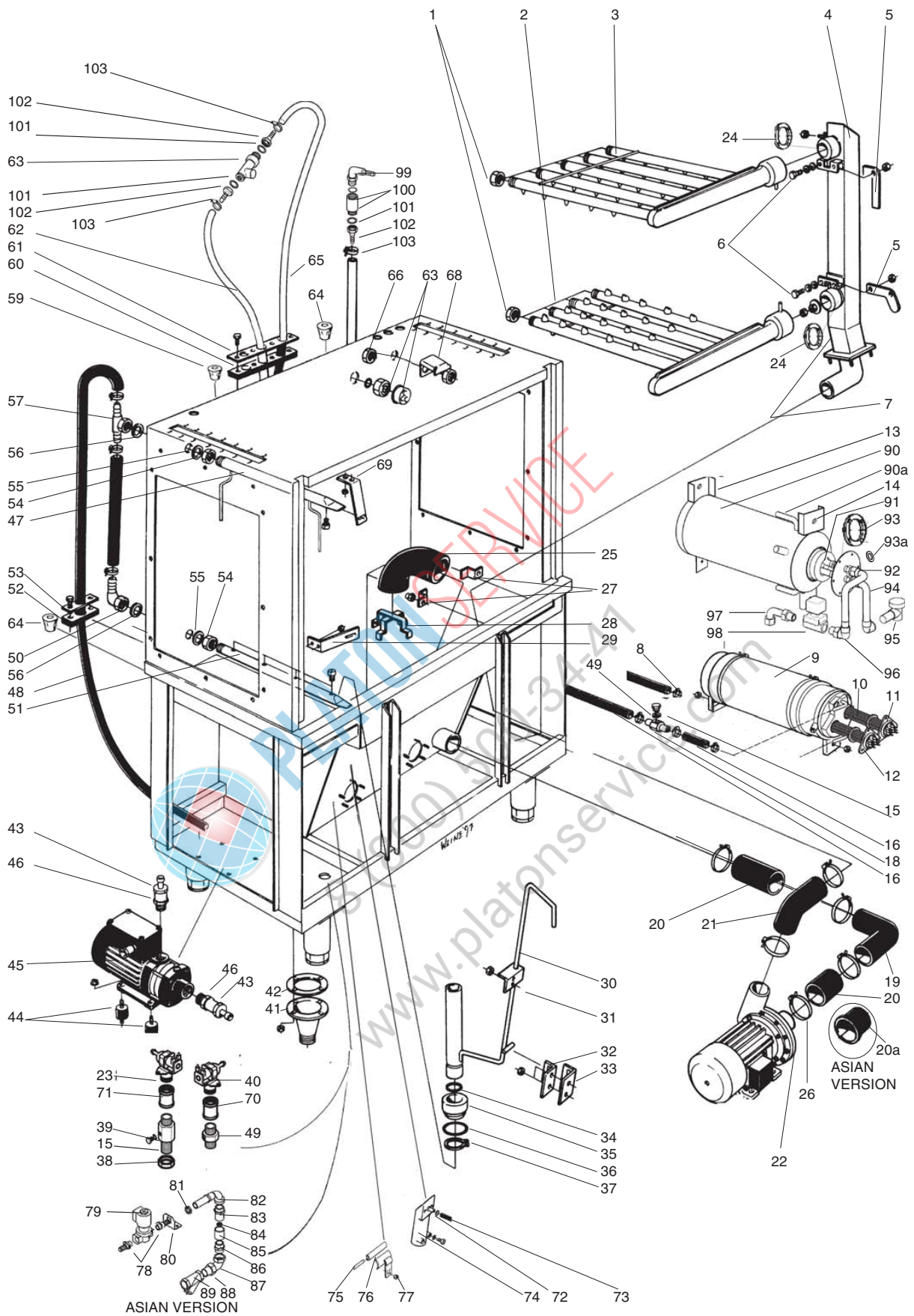
Tank and panels

Da Ser.Nr./From Ser.nr.: 228 /

Page: 2

Ed.2010-02

Doc. Nr.: 6-50 001A



iii. 21316B

Scarico ed impianto di lavaggio

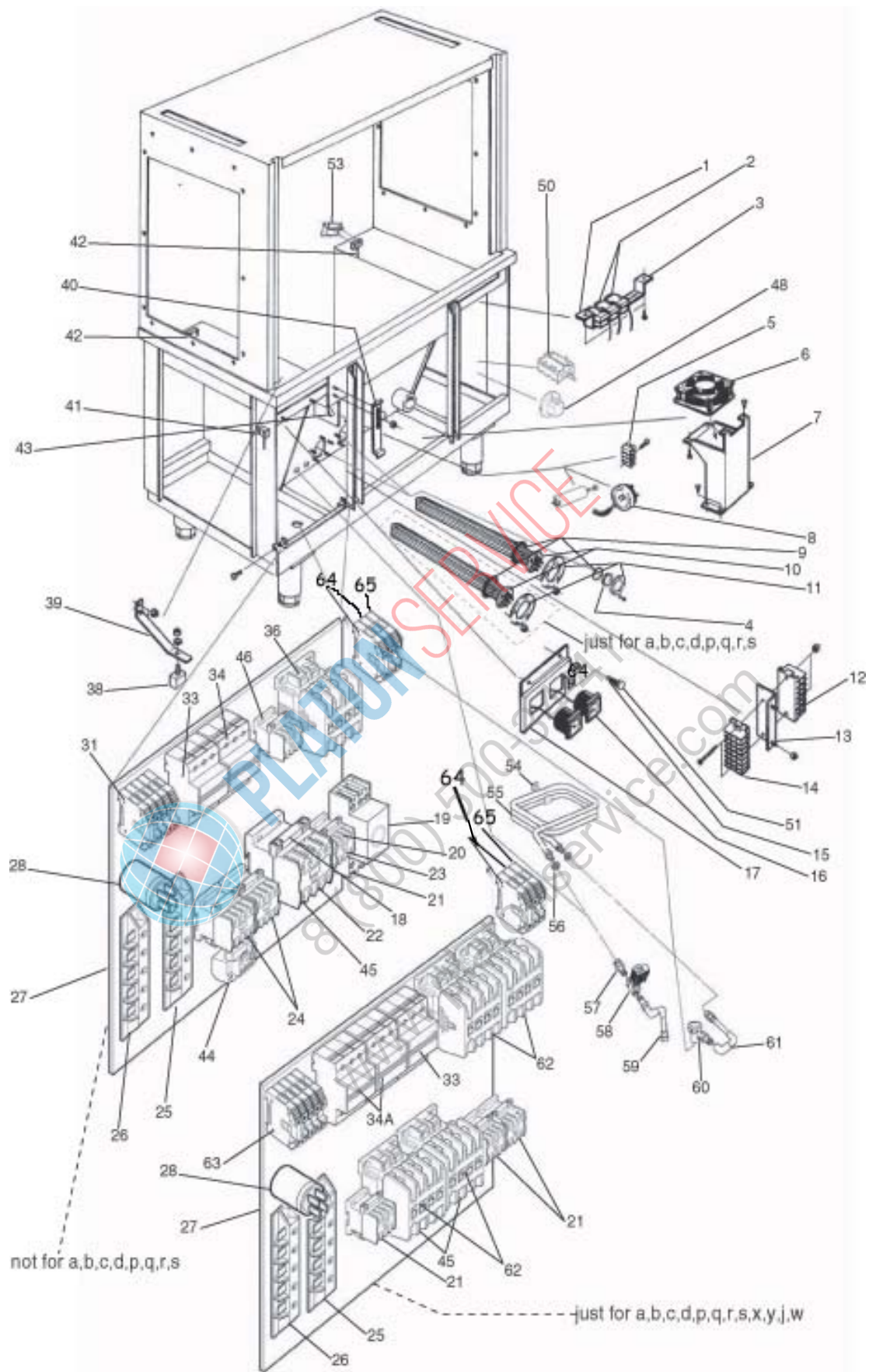
Drain and wash system

Da Ser.Nr./From Ser.nr.: 228 /

Page: 3

Ed.2006-05

Doc. Nr.: 6-50 001A



ill. 21317Ae

Componenti elettrici

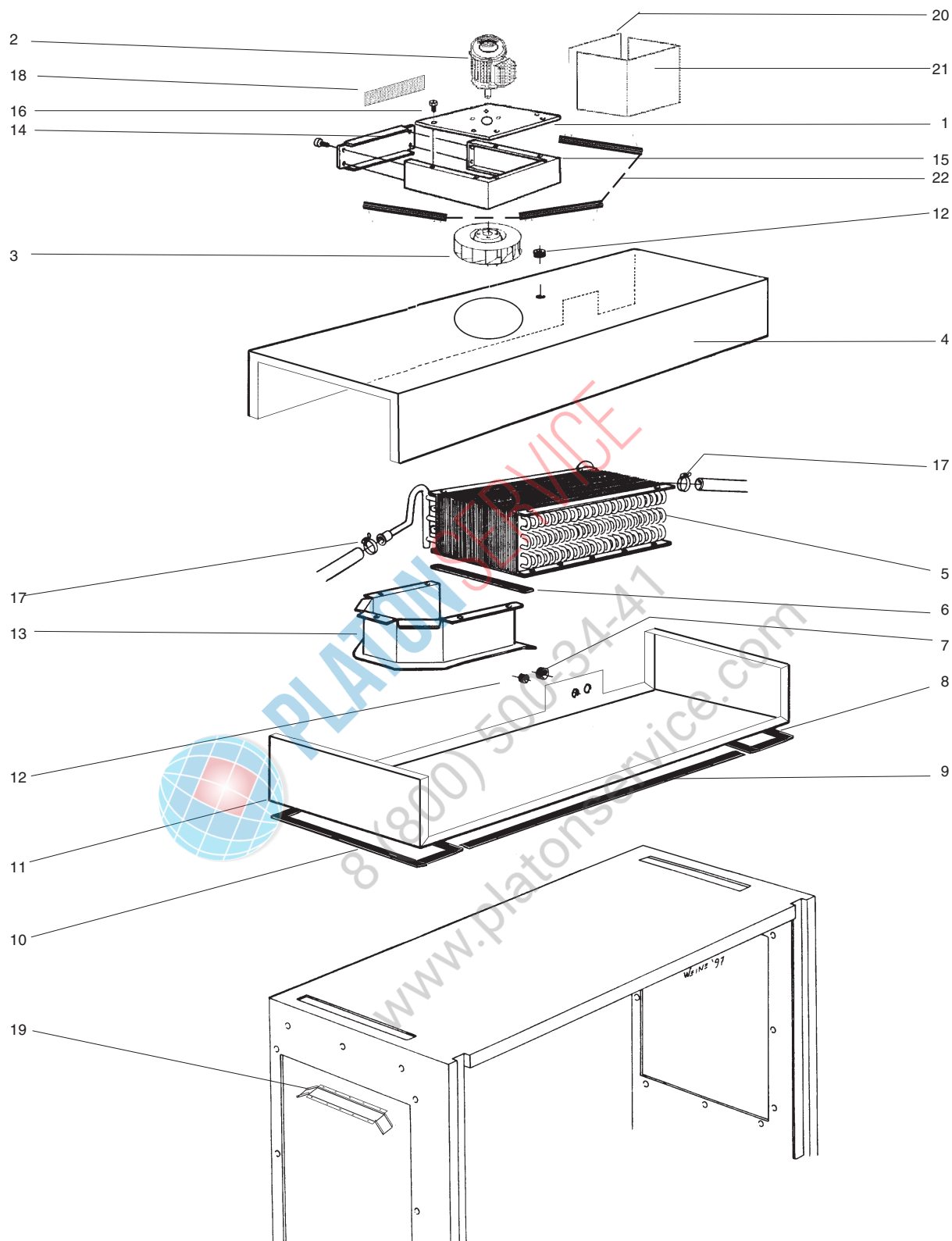
Electric components

Da Ser.Nr./From Ser.nr.: 228 /

Page: 4

Ed.2007-06

Doc. Nr.: 6-50 001A



ill. 21318z

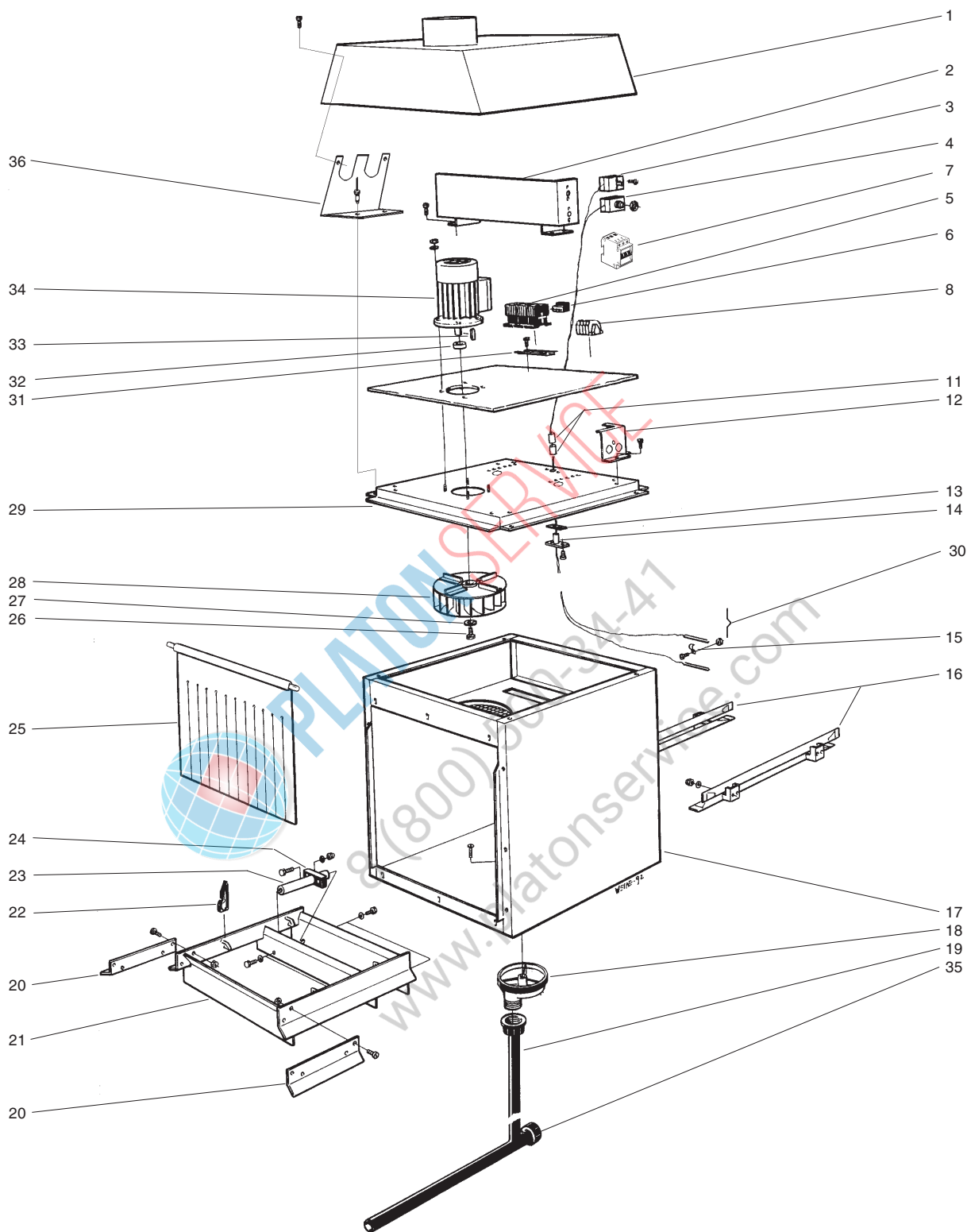
Unità condensa fumane CU

Condensing Unit CU

Da Ser.Nr./From Ser.nr.: 228 /

Page: 5 Ed.2002-07

Doc. Nr.: 6-50 001A



ill. 21301

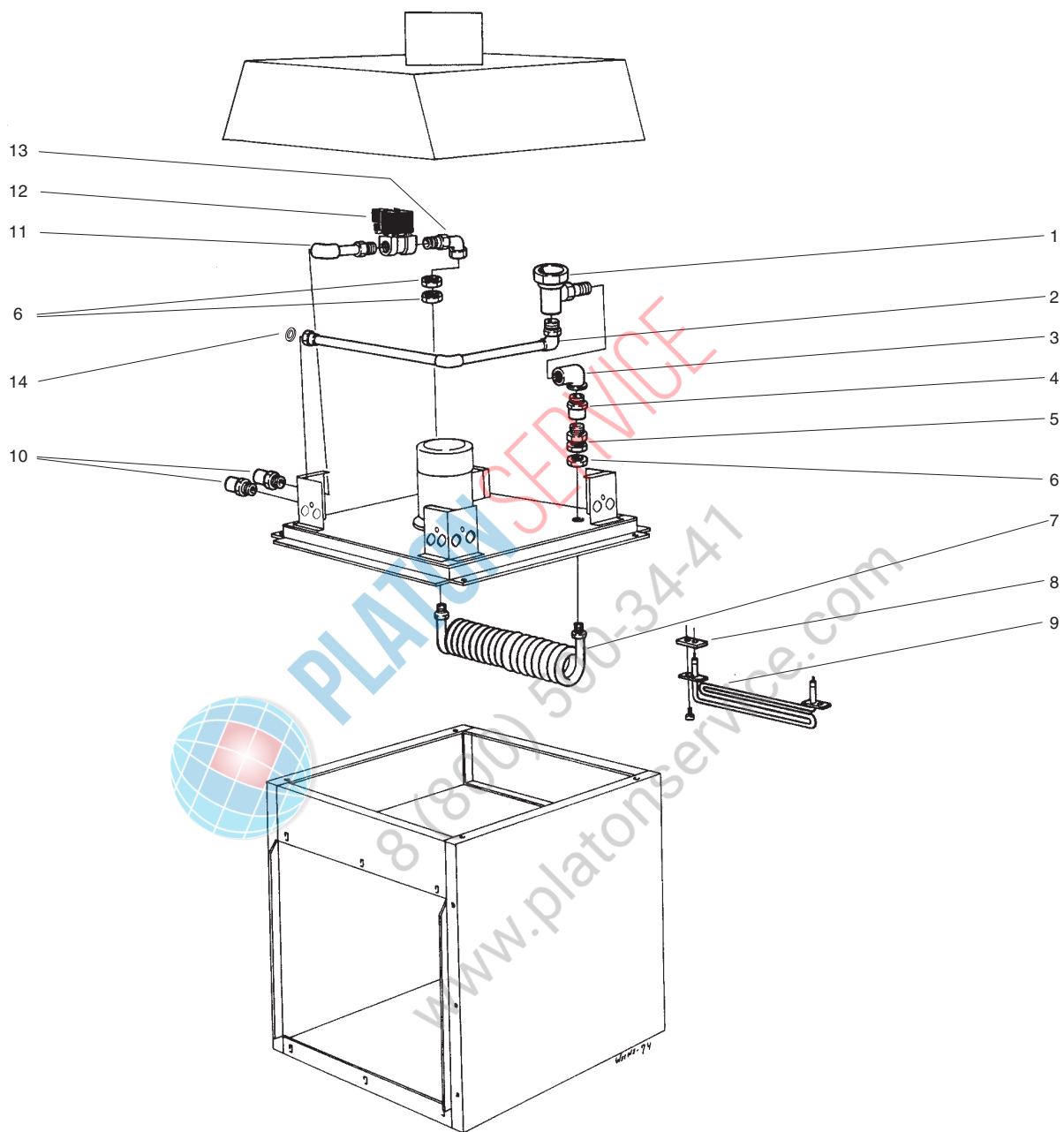
Zona di asciugatura HUB

Hot Air Blower HAB

Da Ser.Nr./From Ser.nr.: 228 /

Page: 6 Ed.2013-03

Doc. Nr.: 6-50 001A



iii. 21302

Zona di asciugatura HUB, Riscaldamento

Hot Air Blower HAB, Heating

Da Ser.Nr./From Ser.nr.: 228 /

Page: 7 Ed.2003-01

Doc. Nr.: **6-50 001A**

Lavastoviglie a cesto trascinato - 1 vasca Rack Type dishwasher - 1 tank				- RT 10 - RT 10	Grassetto = variazioni Bold Print = changes	
Pos.	Q.tà Q.ty	Cod.ric. Part No.		Descrizione	Description	Note / Notes
				Pagina 2: Vasca e	Page 2: Tank and	ill: 21315Z
1	2	0E5824	RT0027200	Paraspruzzi	Splash plate	
2	2	0E5825	RT0003801	Supporto tendina	Attachment; for curtain	Up to ser. nr.: 427
2	2	0L0559	RT0003802	Supporto tendina	Attachment; for curtain	From ser. nr.: 428
3	3	0E5826	RT0003700	Asse tendina	Shaft; for curtain	
4	2	0L0611	RT0016800	Profilo a C	C-profile	
5	1	0E5821	RT0005700	Piastra lat. Sx; per filtro	Side plate left; for filter	
6	1	0E5472	W00183500	Filtro piano	Strainer plate	
7	1	0E5827	RT0005800	Piastra lat. Dx; per filtro	Side plate right; for	
8	1	0E5183	W00102700	Filtro a cestello	Strainer basket	
9	3	0E5828	RT0003900	Tendina H=450 L=580	Curtain H=450 L=580	Up to Ser: 227
9	3	0E6006	541611000	Tendina H=485 L=580	Curtain H=485 L=580	From Ser: 228
9A	2	0L1219	541615000	Tendina H=560 L=580	Curtain H=560 L=580	a,b,c,d,e,f,g,h,p,q,r,s,t,u From Ser. Nr. 623
10	3	0E2898	W00143600	Aggancio molla	Spring retainer	
11	2	0E5167	W00093300	Molla	Spring	38 x 0,5 mm
11	1	0E5158	W00093200	Molla	Spring	25 x 0,5 mm
12	3	0E5001	W00093100	Puleggia	Pulley	
14	1	0E5830	RT0005300	Protezione / maniglia	Protection / handle	
16	6	0E5007	W00093000	Trascinatore	Carrier	
17	1	0E5890	RT0017901	Pannello frontale	Front panel	Electrolux, Alpen. Up to ser.: 309 t,u,v,z
17	1	0L0241	503600101	Pannello frontale	Front panel	From ser.: 310
18	1	0E5832	RT0016200	Cavallotto	Clamp	
19	1	0E5833	RT0029801	Motore trascinamento;	Feeding motor;	230-400V 50Hz
19	1	0E5958	680600800	Motore trascinamento;	Feeding motor;	230-400V 60Hz
19	1	0E5963	611619900	Motore trascinamento;	Feeding motor;	ASIAN
19	1	0TH202	611625500	Motore trascinamento 230-400V 50/60Hz 60Hz	Feeding motor 60Hz 230-400V 50/60Hz 60Hz	x,y,j,w
20	1	0E5834	RT0019800	Slitta trascinamento	Feeding ladder	
21	5	0E5046	W00017300	Rullino	Roller	
22	2	0E0102	W00003700	Magnete	Magnet	
23	1	0E5835	RT0013701	Attivatore micro	Activator; for	No ASIAN
24	4	0E5009	W00094500	Piede	Foot	Not Electrolux Up to ser. Nr.: 005
24	4	0E5009	W00094500	Piede	Foot	Electrolux Up to ser.: 309
24	4	0L0194	855649000	Piede	Foot	Electrolux From ser.: 310 Up to ser. Nr.: 005
24	4	0E5009	W00094500	Piede	Foot	From Ser. Nr.: 006
25	2	0E5820	RT0017801	Pannello laterale	Side Panel	No ASIAN Up to ser. Nr.: 005
25	2	0L0680	503603700	Pannello laterale	Side Panel	
26	1	0L0739	870642200	Assieme porta	Assembly Door	Zanussi
26	1	0TH174	870642100	Assieme porta	Assembly Door	Electrolux (NERT10-NERT20)
26	1	0L1540	870643600	Assieme porta	Assembly Door	Alpeninox
27	1	0E5837	RT0017601	Pannello posteriore	Rear panel	No ASIAN Up to ser. Nr.: 005

Lavastoviglie a cesto trascinato - 1 vasca Rack Type dishwasher - 1 tank				- RT 10 - RT 10	Grassetto = variazioni Bold Print = changes	
Pos.	Q.tà Q.ty	Cod.ric. Part No.		Descrizione	Description	Note / Notes
27a	1	0L0649	503603800	Pannello posteriore	Rear panel	
28	4	0L0152	RT0020700	Molla a tazza	Disk spring	
29	1	0L0151	RT0020500	Dado	Nut	
30	2	0E5838	RT0018700	Guida cesto	Slide for basket	
31	1	0E5839	RT0019400	Asse trascinamento	Feeding shaft	
32	1	0E5840	RT0003400	Piastra; fiss. Motore	Plate motor fitting	
33	3	0E5792	W00516700	Vite	Screw	
34	1	049857	835618600	Attivatore micro Dx	Activator right; for	
34	1	049858	835618700	Attivatore micro Sx	Activator left; for micro	
35	2	0KL878	RT0016700	Guida scorrimento porta	Slide; door	
36	1	0E5909	RT0057903	Pannello comandi	Control panel	Zanussi
37	1	0E5910	RT0057800	Pannello frontale	Front panel	Zanussi
38	2	0E5456	W00136900	Coibentazione	Thickening	
39	1	0L0150	RT0020400	Giunzione sistema trascin.	Clutch	
40	1	0E5947	RT0060500	Assieme Cruscotto	Control panel	Zanussi
40	1	0E5905	RT0046501	Membrana adesiva	Stick membrane	Alpeninox
40	1	0L0247	548639700	Membrana adesiva	Stick membrane	Franstal
40	1	0L1271	548646000	Membrana adesiva	Stick membrane	t,u,v,z
40	1	0E5892	RT0049901	Membrana adesiva	Stick membrane	Electrolux Up to ser. : 309
40	1	0L0233	RT0049902	Membrana adesiva	Stick membrane	Electrolux From ser.: 310 Up to ser. Nr.: 005
40	1	0L2140	54864AS00	Membrana adesiva	Stick membrane	From Ser Nr.: 006
41	1	0L1664	548648F00	Adesivo Zanussi	Stick membrane	From Ser Nr.: 006
41	1	0L1665	548648G00	Adesivo Alpeninox	Stick membrane	From Ser Nr.: 006
41	1		54864AK00	Adesivo Electrolux	Stick membrane	From Ser Nr.: 006
				Pagina 3: Scarico e imp.	Page3: Drain + wash	ill: 21316B
1	10	0E5016	W00527600	Tappo	Plug	Up to Ser: 028
1	10	0E5997	805656100	Tappo	Plug	From Ser: 029
2	1	0E5465	W00384900	Braccio lavaggio inf.	Wash arm; lower	Up to Ser: 028
2	1	0E5995	RT0057101	Braccio lavaggio inf.	Wash arm; lower	From Ser: 029
3	1	0E5467	W00384800	Braccio lavaggio sup.	Wash arm; upper	Up to Ser: 028
3	1	0E5994	RT0055501	Braccio lavaggio sup.	Wash arm; upper	From Ser: 029 Up to Ser: 227
3	1	0E6024	835618800	Braccio lavaggio sup.	Wash arm; upper	From Ser: 228
4	1	0E5680	W00094400	Tubo collegamento getti	Pipe; jets connection	
5	2	0E5469	W00140700	Leva bloccaggio	Lock handle	
6	2	0E5714	W00511600	Guarnizione	Gasket	
7	1	0E5179	W00115600	Riduttore portata	Flow reducer	
8	1	0E5509	W00499400	Tubo gomma 1/2"	Hose 1/2"	
9	1	0E5954	850653401	Boiler	Boiler	
10	2	067620	246072700	O Ring	O Ring	
11	1	049116	617611600	Resistenza 230V 6KW L=460	Heating element 230V 6KW L=460	Without CU
11	1	0E5953	617613000	Resistenza 230V 10,5KW L=460	Heating element 230V 10,5KW L=460	With CU
11	1	0E5956	617614000	Resistenza 230V 12KW L=460	Heating element 230V 12KW L=460	ASIAN -Up to Ser: 227
11	1	0L0019	617619100	Resistenza 230V 12KW L=460	Heating element 230V 12KW L=460	ASIAN -From Ser: 228

Lavastoviglie a cesto trascinato - 1 vasca Rack Type dishwasher - 1 tank				- RT 10 - RT 10	Grassetto = variazioni Bold Print = changes	
Pos.	Q.tà Q.ty	Cod.ric. Part No.		Descrizione	Description	Note / Notes
11	1	0L0019	617619100	Resistenza 230V 12KW L=460	Heating element 230V 12KW L=460	a,b,c,d,p,q,r,s From Ser. Nr. 623
11	1	0L0650	617622900	Resistenza 230V 14KW L=460	Heating element 230V 14KW L=460	ASIAN, i,l,m,n,e,f,g,h,t,u,v,z Not for a,b,c,d,p,q,r,s
12	1	0E5953	617613000	Resistenza 230V 10,5KW L=460	Heating element 230V 10,5KW L=460	Without CU
12	1	0E5953	617613000	Resistenza 230V 10,5KW L=460	Heating element 230V 10,5KW L=460	With CU
12	1	0E5956	617614000	Resistenza 230V 12KW L=460	Heating element 230V 12KW L=460	ASIAN -Up to Ser: 227
12	1	0L0019	617619100	Resistenza 230V 12KW L=460	Heating element 230V 12KW L=460	ASIAN -From Ser: 228
12	1	0L0019	617619100	Resistenza 230V 12KW L=460	Heating element 230V 12KW L=460	a,b,c,d,p,q,r,s From Ser. Nr. 623
12	1	0L0650	617622900	Resistenza 230V 14KW L=460	Heating element 230V 14KW L=460	ASIAN, i,l,m,n,e,f,g,h,t,u,v,z Not for a,b,c,d,p,q,r,s
13	1	0E5695	W00187500	Squadretta	Bracket	
14	1	0E5694	W00187400	Squadretta	Bracket	
15	2	0E2887	W00527200	Tappo 1/8"	Plug1/8"	
16	1	0E5509	W00499400	Tubo gomma 1/2"	Hose 1/2"	
17	8	0E5148	W00136400	Ugello 9504	Nozzle 9504	
18	1	0E3080	W00502600	Nipplo portagomma	Hose nipple	
19	1	0E2969	W00233700	Tubo a gomito	Elbow pipe	
20a	1	0L0924	544629200	Tubo gomma	Hose	ASIAN
20	1	0L0038	544632500	Tubo gomma	Hose	ASIAN
20	2	0E5023	W00019200	Tubo gomma	Hose	STD - Up to Ser: 227
20	2	0L0038	544632500	Tubo gomma	Hose	STD - From Ser: 228
21	1	0E2970	W00132300	Tubo gomma	Hose	STD - Up to Ser: 227
21	1	0L0077	544631200	Tubo gomma	Hose	STD - From Ser: 228
21	1	0E2970	W00132300	Tubo gomma	Hose	ASIAN
22	1	0E5335	W00186500	Pompa lavaggio 220-240 / 380-415V, 50Hz	Wash pump 220-240 / 380-415V,	Up to Ser: 227
22	1	0L0039	611622201	Pompa lavaggio 220-240 / 380-415V, 50Hz	Wash pump 220-240 / 380-415V,	From Ser: 228
22	1	0E5962	611618600	Pompa lavaggio 230-400V, 50Hz	Wash pump 230-400V, 50Hz	ASIAN
22	1	0L0172	611622301	Pompa lavaggio	Wash pump	60 Hz
23	1	048898	696611900	Elettrovalvola 20 l/m	Electrovalve 20 l/m	
24	2	0E6005	543627400	Guarnizione	Gasket	
25	1	0E5474	W00234200	Tubo a gomito; aspirazione	Elbow pipe; suction	
26	1	046853	518602901	Fascetta 68/85	Clamp 68/85	ASIAN -Up to Ser: 227
26	1	0E5558	W00523900	Fascetta 90-110/112 SW1	Clamp 90-110/112	ASIAN -From Ser: 228
27	2	0E5475	W00114900	Squadretta	Bracket	
28	1	0E5476	W00248400	Crocera aspirazione	Cross suction	
29	1	0E5058	W00127200	Molla; per braccio risciacquo	Spring; for rinse arms	
30	1	0E5020	W00104700	Troppo pieno; compl.	Overflow pipe; compl.	
31	1	0E5822	RT0005600	Squadretta	Bracket	
32	1	0E5686	W00112400	Squadretta; guida sx	Bracket; left guide	
33	1	0E5685	W00112300	Squadretta; guida dx	Bracket; right guide	
34	1	0E0142	W00524700	O Ring	O Ring	
35	1	0E0141	W00008400	Tappo scarico	Plug, for drain	

Lavastoviglie a cesto trascinato - 1 vasca Rack Type dishwasher - 1 tank				- RT 10 - RT 10	Grassetto = variazioni Bold Print = changes	
Pos.	Q.tà Q.ty	Cod.ric. Part No.		Descrizione	Description	Note / Notes
36	1	0E0010	W00008900	O Ring	O Ring	
37	1	0E5152	W00522900	Anello	Seeger C-clamp	
38	1	0E5056	W00525500	Dado di ottone 3/4" M	Nut 3/4" M	
39	1	0E5523	W00504500	Raccordo esagonale 3/4" F	Fitting 3/4" F	
40	1	049452	696613600	Elettrovalvola 5,5 l/m	Electrovalve 5,5 l/m	
41	1	0E0113	W00008500	Piletta	Drain connection	
42	1	0E0112	W00017700	Guarnizione; per scarico	Gasket; for drain	
43	2	0E5513	W00504100	Portagomma 1/2"	Hose nipple 1/2"	
44	4	0E0129	W00004900	Ammortizzatore	Vibration absorber	
45	1	0E5532	W00068800	Pompa aum. press.; 220-240V	Booster pump; 220-240V	
46	1	0E5531	W00526700	Nipplo 3/4"	Nipple 3/4"	
47	1	0E5945	RT0058000	Assieme risciacquo sup.	Upper rinse assembly	NO ASIAN Up to ser. Nr.: 005
47	1	0E5946	RT0059900	Assieme risciacquo sup.	Upper rinse assembly	
48	1	0E5509	W00499400	Tubo gomma 1/2"	Hose 1/2"	
49	2	0E5524	W00500500	Guarnizione	Gasket	
50	2	0E5510	W00504600	Portagomma; gomito	Hose nipple; elbow	Up to ser. nr.: 447
50	2	0L0653	511619900	Portagomma; gomito	Hose nipple; elbow	From ser. nr.: 448
51	1	0E5946	RT0059900	Tubo risciacquo inf.	Lower rinse pipe	
52	1	0E5843	RT0004301	Guarnizione; entrata tubi	Gasket; hose inlet	
53	1	0E5844	RT0004500	Piastra; entrata tubi	Plate; hose inlet	
54	2	0E5507	W00303700	Manicotto; innesto bracci	Sleeve; arms fitting	
55	2	0E5118	W00524500	O Ring	O Ring	
56	3	0E5122	W00500800	Guarnizione	Gasket	
57	1	0E5508	W00504700	Portagomma a T	Hose nipple T	Up to ser. nr.: 447
57	1	0L0652	511619800	Portagomma a T	Hose nipple T	From ser. nr.: 448
59	1	0E5823	RT0005500	Passacavo	Cable inlet	
60	1	0E5845	RT0004400	Guarnizione; entrata tubi	Gasket; hose inlet	
61	1	0E5846	RT0004600	Piastra; entrata tubi	Plate; hose inlet	
62	1	0E5121	W00499300	Tubo gomma	Hose	Up to Ser: 227
62	1	048531	140066039	Tubo gomma	Hose	From Ser: 228
63	1	0L1892	544685800	Valvola DVGW	DVGW valve	
64	2	0TH079	246580200	Passacavo	Cable inlet	
65	1	0E5509	W00499400	Tubo gomma 1/2"	Hose 1/2"	
66	1	049502	514667500	Tappo	Plug	NO ASIAN Up to Ser. Nr: 903
68	1	0E5848	RT0011900	Paraspruzzi	Splash plate	
69	1	0E5505	W00107700	Molla; x braccio risciacquo	Spring; for rinse arms	Up to ser. nr.: 427
69	1	0L0560	504698300	Molla; x braccio risciacquo	Spring; for rinse arms	Up to ser. nr.: 428
70	1	0E5525	W00526000	Manicotto 3/4" F	MSG Sleeve	
71	1	0E5525	W00526000	Manicotto 3/4" F	MSG Sleeve	
72	1	068573	246077000	O Ring	O Ring	
73	1	072393	W00537200	Tubo	Hose	
74	1	046631	542601002	Trappola aria	Air trap	
75	2	0E5032	W00008200	Termostato 30-110 C	Thermostat 30-110 C	
76	2	0E5479	W00237400	Manicotto isolante	Sleeve insulation	
77	1	0E5480	W00018400	Squadretta	Bracket	
78	4	049508	514679400	Portagomma	Rubber-pipe plug	ASIAN

Da Ser.Nr./From Ser.nr.: 228 /

Lavastoviglie a cesto trascinato - 1 vasca Rack Type dishwasher - 1 tank				- RT 10 - RT 10	Grassetto = variazioni Bold Print = changes	
Pos.	Q.tà Q.ty	Cod.ric. Part No.	Descrizione	Description	Note / Notes	
79	2	049509	696613300	Elettrovalvola	Solenoid valve	ASIAN Up to Ser: nr.: 449
79	2	0L0569	696616100	Elettrovalvola	Solenoid valve	ASIAN From Ser. nr.: 450
80	2		507609400	Supporto elettrovalvola	Solenoid valve support	ASIAN
81	2	049516	514679300	Dado 3/8" G	3/8" G Nut	ASIAN
82	1	049202	830625401	Ass.tubo di collegamento	Linking pipe assembly	ASIAN Up to Ser: 227
82	1	0L0580	830630500	Ass.tubo di collegamento	Linking pipe assembly	ASIAN From Ser: 228
83	2	049510	515647501	Nipplo 3/4" G	3/4" G Nipple	ASIAN
84	1	0E5961	549642000	Parzializzatore (rosso) 8l/m	Elbi shutter (red) 8l/m	Boiler; ASIAN
85	1	048742	549620800	Parzializzatore (nero) 16l/m	Elbi shutter (black) 16l/	Tank; ASIAN
86	2	0E5525	W00526000	Manicotto 3/4" MSG	3/4" Msg Sleeve	ASIAN
87	2		W00526300	Raccordo 3/4x3/4	3/4x3/4 Fitting	ASIAN
88	2	0E5609	W00511800	Raccordo 90°	Elbow	ASIAN
89	2	068121	330700014	Filtro acqua 3/4" G	3/4" G Water filter	ASIAN
90	1	0E5972	RT0060400	Boiler a vapore	Steam boiler	Steam
90a	1	0L1525	569608300	Isolante boiler	Boiler insulation	Steam
91	1	0E5359	W00334700	Serpentina vapore	Steam coil	Steam
92	1	0E3085	W00223301	Flangia	Flange	Steam
93	1	0H2210	W00017800	Guarnizione	Gasket	Steam
93a	1	0L2236	543633L00	Guarnizione	Gasket	Steam
94	1	0E5976	RT0061000	Tubo	Pipe	Steam - Up to ser.: 010
94	1	0L1604	515666200	Tubo	Pipe	Steam - From ser. nr.: 011
95	1	0E0153	W00513200	Scarico vapore	Steam trap	Steam
96	1	0E5975	RT0060900	Tubo	Pipe	Steam - Up to ser.: 010
96	1	0L1602	515666400	Tubo	Pipe	Steam - From ser. nr.: 011
97	1	0E5973	RT0060800	Tubo	Pipe	Steam - Up to ser.: 010
97	1	0L1605	515666100	Tubo	Pipe	Steam - From ser. nr.: 011
98	1	0E5974	RT0061100	Elettrovalvola - 230V 50HZ	Solenoid valve	Steam - Up to ser.: 010
98	1	0L1482	696617700	Elettrovalvola 230V 50HZ	Solenoid valve	Steam - From ser. nr.: 011
99	1	0E5489	W00504800	Portagomma; 15x1/2"	Rubber-pipe plug;	Up to Ser.nr.: 447
99	1	0L0653	511619900	Portagomma; 15x1/2"	Rubber-pipe plug;	From Ser.nr.: 448
100	1	0E5938	W00177600	Valvola non ritorno compl	Non return valve compl	RT10 France RT180 Alpeninox
101	1	0L1939	543626700	O ring	O Ring	
102	2	0E5529	W00505000	Portagomma 15 x 1/2"	Hose nipple 15 x 1/2"	Up to Ser: 227
102	2		514689400	Portagomma Femmina 15 x 1/2"	Hose nipple Female 15 x 1/2"	RT10 France From Ser: 228
102	1		514689400	Portagomma Femmina 1/2"	Hose nipple Female 1/2"	RT10 no France From Ser: 228
102	1	0L0040	514692200	Portagomma Maschio 1/2"	Hose nipple Male 1/2"	RT10 no France From Ser: 228
103	1	048126	518609801	Fascetta	Strip	
				Pagina 4: Comp. elettrici	Page 4: Electrical	ill: 21317Ae
	[Con CU	With CU	
	[Senza CU	Without CU	
1	1 1	0E5086	W00050400	Termostato sicurezza	Thermostat; safety	
2	2 2	0E5032	W00008200	Termostato 30-110 C	Thermostat 30-110 C	
3	1 1	0E5724	W00126600	Supporto	Holder	
4	1 1	0E5491	482479400	Flangia vasca	Flange tank	Steam version

Lavastoviglie a cesto trascinato - 1 vasca Rack Type dishwasher - 1 tank				- RT 10 - RT 10	Grassetto = variazioni Bold Print = changes	
Pos.	Q.tà Q.ty	Cod.ric. Part No.		Descrizione	Description	Note / Notes
5	1 1	0E5178	W00126500	Morsettiera; 3 poli	Connection block; 3 poli	
6	1 1	0E2261	W00019500	Ventilatore	Fan	NO ASIAN Up to ser. Nr.: 005
7	1 1		RT0004000	Canale ventilatore	Channel; for fan	NO ASIAN Up to ser. Nr.: 005
8	1 1	0E3731	646618800	Pressostato	Pressure switch	Up to ser.nr.: 427
8	1 1	049881	646618300	Pressostato	Pressure switch	From ser.nr.: 428
9		0E5037	W00525000	O Ring	O Ring	
10		0E5163	W00119400	Resistenza; 230V 9KW	Heating element; 230V 9KW	RT10-WT90-RT180-NERT10- NERT20 g,h,t,u,m,n,v,z
10		0E5161	W00119500	Resistenza; 230V 7,5KW	Heating elem.; 230V	ASIAN-RT180-ASIAN e,f, i,l
10		0E5162	W00119300	Resistenza; 230V 12KW	Heating elem.; 230V	a,b,c,d,p,q,r,s
11		0E5492	W00023102	Flangia	Flange	
12	1 1	078026	W00006100	Morsettiera; 7poli	Connection block; 7	X13 - No ASIAN
13	1 1		W00166300	Squadretta	Bracket	
14	1 1	078026	W00006100	Morsettiera; 7poli	Connection block; 7	X14 - No ASIAN
15	1 1	046289	665601200	Corpo Lampada bianco	Lamp cap; white	Electrolux-Alpen
15	1 1	075096	665601301	Corpo Lampada verde	Lamp cap; green	Zanussi
16	2 2	048525	657601800	Termometro	Thermometer	Electrolux-Alpen
16	2 2	048544	657601901	Termometro	Thermometer	Zanussi
17	1 1	0E5889	RT0004701	Supporto	Bracket	No ASIAN
18	- 3	048497	640608500	Contatto ausiliario	Auxiliary contact	i,l,m,n,e,f,g,h,t,u,v,z
19	1 -	0E5669	W00506200	Temporizzatore	Timer S17	
20	1 1	0E5849	RT0030400	Relè; 2 cont. 230V	Relay; 2 cont. 230V	K14 - No ASIAN
20	1 1	0E5173	W00502100	Zoccolo	Socket	
21	1 1	075796	648608400	Contattore; 230V 12A	Contactor; 230V 12A	K4 Up to ser. nr. 322
21		0L0354	648612700	Contattore; 230V 25A	Contactor; 230V 25A	K4 - 50 Hz From ser. nr. 323
21	1 1	0L0679	648612800	Contattore; 230V 25A	Contactor; 230V 25A	K4 -60 Hz versions only
22	1 1	0W0690	RT0031900	Contattore; 230V 10A	Contactor; 230V 10A	K10 Up to ser. nr. 322
22	1 1	0L0364		Contattore; 230V 50A	Contactor; 230V 50A	(0L0355 + 046995) From ser. nr. 323
22	1 1	0L0678	648613300	Contattore; 230V 60A	Contactor; 230V 60A	K10
23	1 1	075796	648608400	Contattore; 230V 12A	Contactor; 230V 12A	K8
24	1 1	075796	648608400	Contattore; 230V 12A	Contactor; 230V 12A	K2
25	1 1	046347	639610802	Morsettiera; 6 poli	Connection block; 6	X9
26	1 1	046347	639610802	Morsettiera; 6 poli	Connection block; 6	X2
27	1 1		RT0004903	Supporto componenti	Mounting plate	Up to Ser: 227
27	1 1	0TH097	504691400	Supporto componenti	Mounting plate	From Ser: 228
28	1 1	049303	694605400	Filtro RFI; Trifase	RFI Filter; Three phase	No ASIAN
31	1 1	0F0112	W00507500	Morsettiera	Connection block	
33	1 1	0E5894	652604300	Interruttore aut.; 10A 3-P	Automatic switch; 10A	F4 - Up to Ser: 227
33	1 1	0L0041	652606200	Interruttore aut.; 10A 3-P	Automatic switch; 10A	F4 - From Ser: 228
34	1 1	0E5900	652604900	Interruttore aut.; 50A 3-P	Automatic switch; 50A	F8 - Up to Ser: 227
34	1 1	0L0043	652606800	Interruttore aut.; 50A 3-P	Automatic switch; 50A	F8 - From Ser: 228
34	1 1	0L0651	652607000	Interruttore aut.; 63A 3-P	Automatic switch; 63A	F8 - ASIAN, i,l,m,n,v,z
34A	- 2	0E6020	652606700	Interruttore aut. tripol.4C	3-poles automatic	a,b,c,d,p,q,r,s
36	1 1	0W0690	RT0031900	Contattore; 220V 10A	Contactor; 220V 10A	K108
37	1 1	0E5896	652604500	Interruttore aut.; 20A 3-P	Automatic switch; 20A 3-P	F10, with HAB Up to Ser: 227

Per gli interruttori automatici vedi bollettino tecnico nr. CG-2003_21 (pag. 16)

For automatic fuses see technical bulletin nr. CG-2003_21 (pag. 16)

Da Ser.Nr./From Ser.nr.: 228 /

Page: 13 Ed.2007-06

Doc. Nr.: 6-50 001A

Lavastoviglie a cesto trascinato - 1 vasca Rack Type dishwasher - 1 tank				- RT 10 - RT 10	Grassetto = variazioni Bold Print = changes	
Pos.	Q.tà Q.ty	Cod.ric. Part No.		Descrizione	Description	Note / Notes
37	1 1	0L0042	652606400	Interruttore aut.; 20A 3-P	Automatic switch; 20A 3-P	F10, with HAB From Ser: 228
38	1 1	0E0102	W00003700	Magnete	Magnet	Up to Ser: 227
38	1 1	088361	699604200	Magnete STEM type M375	Magnet STEM type	From Ser: 228
39	1 1	0E5852	RT0017300	Molla	Spring	
40	1 1	0E5853	RT0005200	Squadretta	Bracket	
41	1 1	0E0003	W00011700	Microinterruttore	Magnetic switch	Up to Ser: 227
41	1 1	049966	654600300	Microinterruttore	Magnetic switch	From Ser: 228
42	2 1	0E5854	RT0029500	Microinterruttore	Magnetic switch	2pcs with Autostart Up to Ser: 227
42	2 1	049969	654600500	Microinterruttore	Magnetic switch	2pcs with Autostart From Ser: 228
43	1 1	0TH000	RT0005000	Squadretta	Bracket	
44	1	0E5220	W00535600	Protezione termica; 4-6A; K2	Bimetallic; 4-6A; K2	ASIAN
45	1 1	046995	640605400	Contatto ausiliario	Auxiliary contact	with Autostart
45	- 2	046995	640605400	Contatto ausiliario	Auxiliary contact	a,b,c,d,e,f,g,h,p,q,r,s, i,l,m,n,t,u,v,z
46	1 1	075796	648608400	Contattore; 220V 10A	Contactor; 220V 10A	K11
48	1 1	048402	548616600	Manopola	Knob	Zanussi
48	1 1	0E3019	W00048900	Manopola	Knob	Electrolux
48	1 1	048920	548621600	Manopola	Knob	Alpeninox
50	1 1	048271	641603202	Interruttore ON/OFF	ON/OFF Switch	
51	1 1	048488	655601900	Lampada fluorescente	Lamp	
52	1 1	047046	640605500	Contatto ausiliario	Auxiliary contact	No ASIAN
52	- 1	047046	640605500	Contatto ausiliario	Auxiliary contact	i,l,m,n,v,z Up to Ser. Nr. 9033
53	1 1	0E2332	W00366900	Sostegno sensore magnetico	Magnetic sensor support	Up to Ser: 227
53	1 1	049968	W00366901	Sostegno sensore magnetico	Magnetic sensor support	From Ser: 228
54	1 1	0E5496	482738000	Supporto	Holder	Steam version
55	1 1	0E5358	482479600	Serpentina a vapore	Steam coil	Steam version
56	2 2	0L0179	518612900	Guarnizione in rame	Copper gasket	Steam version
57	1 1	0H2583	W00511900	Raccordo	Joint	Steam version
58	1 1	0E5974	RT0061100	Elettrovalvola - 230V 50HZ	Solenoid valve	Steam - Up to ser.: 010
58	1	0L1482	696617700	Elettrovalvola 230V 50HZ	Solenoid valve	Steam - From ser. nr.: 011
59	1 1	0E5494	482690400	Assieme tubo	Pipe cpl.	Steam - Up to ser.: 010
59	1 1	0L1605	515666100	Tubo	Pipe	Steam - From ser. nr.: 011
60	1 1	0E0153	W00513200	Scaricatore	Steam trap	Steam version
61	1 1	0E5493	482690500	Tubo compl.	Pipe cpl.	Steam - Up to ser.: 010
61	1 1	0L1605	515666100	Tubo	Pipe	Steam - From ser. nr.: 011
62	- 4	0L0355	648613200	Contattore	Contactor	K8,K10,K81.K101 a,b,c,d,p,q,r,s
62	- 2	0L0355	648613200	Contattore	Contactor	K8,K10 i,l,m,n,e,f,g,h,t,u,v,z x.y.j.w
62	- 2	0L0678	648613300	Contattore	Contactor	
63	- 1	0F0058	W00507401	Morsetteria	Connection block	a,b,c,d,p,q,r,s
64	2 2	0L2017	639629600	Morsetto	Terminal block	ROW VERSION
65	1 1	0L2019	639629800	Morsetto	End terminal block	ROW VERSION

Per gli interruttori automatici vedi bollettino tecnico nr. CG-2003_21 (pag. 16)

For automatic fuses see technical bulletin nr. CG-2003_21 (pag. 16)

Da Ser.Nr./From Ser.nr.: 228 /

Lavastoviglie a cesto trascinato - 1 vasca Rack Type dishwasher - 1 tank				- RT 10 - RT 10	Grassetto = variazioni Bold Print = changes	
Pos.	Q.tà Q.ty	Cod.ric. Part No.		Descrizione	Description	Note / Notes
66	1 1	0L2018	639629700	Piastra terminale	End plate	ROW VERSION
				Pagina 5: Cond. fumane	Page 5: Condensing	ill: 21318z
1	1		W00467701	Pannello superiore	Panel upper	Up to Ser: 227
1	1	0L1043	800663600	Assieme supporto ventola	Fan Support Assembly	From Ser: 228
2	1	0E5951	611619601	Motore; ventola CU	Motor	
3	1	0E5952	549641800	Ventilatore	Fan	
4	1	0E5949	RT0059200	Coperchio	Top	Up to Ser: 227
4	1	0L1044	501699800	Coperchio	Top	From Ser: 228
5	1	0E5581	W00209700	Condensatore	Condenser	
6	1	0E5225	W00536100	Guarnizione	Gasket	L=210
7	2	0E2365	W00530400	Passacavo	Cable inlet	
8	4	0E5225	W00536100	Guarnizione	Gasket	L=440
9	4	0E5225	W00536100	Guarnizione	Gasket	L=175
10	2	0E5225	W00536100	Guarnizione	Gasket	L=1200
11	1	0E5948	RT0059000	Involucro; per unità CU	Casing; for CU	
12	2	0E2331	W00530300	Passacavo	Cable inlet	
13	1		RT0059100	Separatore	Air flow	
14	1	0E5577	W00214700	Chiusura ventilatore	Closure plate; for fan	
15	1	0E5579	W00214600	Fascia scatola ventilatore		
16	6	0TH056	217042065	Vite M4x6	Screw	
17	2	048126	518609801	Fascetta 13-20; inox	Hose clamp 13-20	Up to Ser: 227
17	2	049888	518613100	Fascetta 12-22; inox	Hose clamp 12-22	From Ser: 228
18	1	0E5969	501693300	Paragocce	Splashguard	
19	2	0E5770	W00243200	Gocciolatoio	Drip guard	
20	1	0E5968	507619100	Coperchio; motore vent. (2)	Cover; for fan	
21	1	0E5970	507619000	Coperchio; motore vent. (1)	Cover; for fan	
22	1 mt	0E5225	W00536100	Neoprene per Assieme	Fan assembly support	
				Pagina 6: HAB	Page 6: HAB	ill: 21301
	[Riscaldamento elettrico	Electric heated	
	[Riscaldamento vapore	Steam heated	
1	1 -	0E5593	482256700	Outer top		
1	- 1	0E5594	482742300	Coperchio	Outer top	1).
1	- 1	0E5595	482742200		Outer top	2).
2	1 -	0E5753	482423900		Mounting plate	
2	- 1	0E5776	491335000		Mounting plate	
3	1 1	0E5032	475770402	Termostato	Thermostat	
4	1 1	0E5080	481950105	Controllo di temperatura	Overh. protection	
5	3 3	046994	648608700	Contattore	Contactore	Up to ser. nr. 322
5	3 3	0L0360	648612900	Contattore 24V	Contactore 24V	From ser. nr. 323
5	3 3	0L0354	648612700	Contattore 230V	Contactore 230V	
6	1 1	0E5124	767620500	Protezione	Motor protection	380 - 440V
6		0E5450	767620700	Protettore termico	Motor protection	200 - 255V
7	1	0L0042	652606400	Interruttore aut.; 20A 3-P	Automatic switch; 20A	
7	1	0L0041	652606200	Interruttore aut.; 10A 3-P	Automatic switch; 10A	
8	1 1	0E5176	481601300	Fermo	Terminal block	

1). Macchine con alimentazione SX / Left feeded machines
2).Macchine con alimentazione DX / Right feeded machines

Da Ser.Nr./From Ser.nr.: 228 /

Page: 15 Ed.2010-02

Doc. Nr.: 6-50 001A

Lavastoviglie a cesto trascinato - 1 vasca Rack Type dishwasher - 1 tank				- RT 10 - RT 10	Grassetto = variazioni Bold Print = changes	
Pos.	Q.tà Q.ty	Cod.ric. Part No.		Descrizione	Description	Note / Notes
11	2.2	0E5248	482204200	Tappo	Sealing plug	
12	4.4	0E5754	482424400		Top holder	
13	1.1	0E5249	476040100	Guarnizione	Gasket	
14	1.1	0E5596	461090471	Tubo	Outlet pipe	
15	2.2	0E5150	462479801	Morsetto	Clamp	
16	2.2	0E5734	482250306		Rail	
17	1.1	0E5250	482254100		Stand	
18	1.1	0E5251	476804800	Scarico	Drain	
19	1.1	0E5252	482428200	Scarico	Drain	
20	2.2	0E5597	W00129800	Piastrina	Closing plate	
21	1.1	0E5779	482267500		Feeding ladder	
22	4.4	0E5007	482252100	Supporto	Carrier	
23	2.2	0E5005	482349500	Albero	Shaft	
24	2.2	0E5006	482257600	Guida	Slide shoe	
25	1.1	0E2728	482760000	Tendina	Curtain	
26	1.1	0H2300	478566403	Vite	Screw	LKCS 5x50
27	1.1		464321201		Washer	
28	1.1	0E5081	467969525	Ventola	Fan	
29	1 -	0E5752	482423700		El. cassette	
29	- 1	0E5773	482742700		El. cassette	
30	1 -	0L2882	5066A0800	Clip	Clip	
31	1.1	0E3032	475934603		Rail	
32	1.1	0E5123	477594000	Distanziale	Motor spacer	Up to ser. nr.: 822
32	1.1	0E5801	W00016101	Distanziale	Motor spacer	From ser. nr.: 823
33	1.1	0E5048	735923240	Cuneo	Wedge	
34	1.1	0E5599	482700000	Motore	Motor	50Hz 220-240/380-415V
34	1.1	0E5600	482700001		Motor	Up to ser. nr.: 822
34	1.1	0E5800	W00337001	Motore	Motor	60Hz 220-255/380-440V
34	1.1	0E5800	W00337001	Motore	Motor	Up to ser. nr.: 822
35	1.1	0E5747	482415600		Drain	50Hz/60Hz
36	- 1	0E5772	482742400		Cover plate	From ser. nr.: 823
				Pagina 7: HAB, Riscaldam.	Page 7: HAB, heating	ill: 21302
1	1	0E0153	W00513200	Scaricatore	Steam trap	
2	1	0E5601	482691200	Tubo	Pipe	1). Up to ser. nr.: 010
2	1	0E5602	482691300	Tubo	Pipe	2). Up to ser. nr.: 010
2	1	0L1601	515666500	Tubo	Pipe	From ser. nr.: 011
3	1	0E0686	742111520	Tubo	Angular element	3/4"
4	1	0E5603	475829910	Nipple 3/4"	Nipple 3/4"	Up to ser. nr.: 010
4	1	0L2235	W00814901	Nipple 3/4"	Nipple 3/4"	From ser. nr.: 011
5	1	0H2583	63597003	Raccordo 3/4"	Connection 3/4"	Up to ser. nr.: 010
5	1	072457	W00526300	Raccordo 3/4"	Connection 3/4"	From ser. nr.: 011
6	3	0E5056	W00525500	Nipplo	Pipe nut	3/4"
7	1	0E5604	482691900	Serpentina	Steam coil	
8	12	0E5127	476040200	Guarnizione	Gasket	

- 1). Macchine con alimentazione SX / Left feeded machines
2).Macchine con alimentazione DX / Right feeded machines

Da Ser.Nr./From Ser.nr.: 228 /

Page: 16 Ed.2013-03

Doc. Nr.: 6-50 001A

Lavastoviglie a cesto trascinato - 1 vasca Rack Type dishwasher - 1 tank				- RT 10 - RT 10	Grassetto = variazioni Bold Print = changes	
Pos.	Q.tà Q.ty	Cod.ric. Part No.		Descrizione	Description	Note / Notes
9	6	0E5126	464212500	Resistenza	Heating element	220 / 400V
9	6	0E5253	464212501	Resistenza	Heating element	240 / 415V
9	6	0E5605	464212502	Resistenza	Heating element	200V
9	6		464212503	Resistenza	Heating element	255 / 440V
10	2	0E5606	W00503801	Nipple	Pipe nipple	3/4"
11	1	0E5607	482691400	Tubo	Pipe	1). Up to ser. nr.: 010
11	1	0E5608	482691500	Tubo	Pipe	2). Up to ser. nr.: 010
11	1	0L1605	515666100	Tubo	Pipe	From ser. nr.: 011
12	1	0E2200	482174003	Elettrovalvola	Solenoid valve	24V - 50 Hz
12	1	0E2280	482174006	Elettrovalvola	Solenoid valve	24V - 60 Hz
12	1	0L1482	696617700	Elettrovalvola	Solenoid valve	230V - 50 Hz From ser. nr.: 011
13	1	0E5609	W00511800	Raccordo	Angle coupling	3/4"
14	4	0L2236	543633L00	Guarnizione	Gasket	
				Elementi di fissaggio	Attachment elements	
		0KU151	W00501200	Dado flangiato M4	Flange nut M4	
		0E5372	W00501300	Dado flangiato M5	Flange nut M5	
		0H2562	W00501400	Dado flangiato M6	Flange nut M6	
		0E5063	W00501500	Dado flangiato M8	Flange nut M8	
		0E5592	W00501600	Dado flangiato M10	Flange nut M10	
		0E0900	W00523200	Fascetta d=24	Hose clamp d=24	
		0E0650	W00523400	Fascetta d=38	Hose clamp d=38	
		0E2686	W00523500	Fascetta d=50	Hose clamp d=50	
		072582	W00523600	Fascetta d=65	Hose clamp d=65	
		0E1358	W00523700	Fascetta d=75	Hose clamp d=75	
		0E5558	W00523900	Fascetta d=112	Hose clamp d=112	